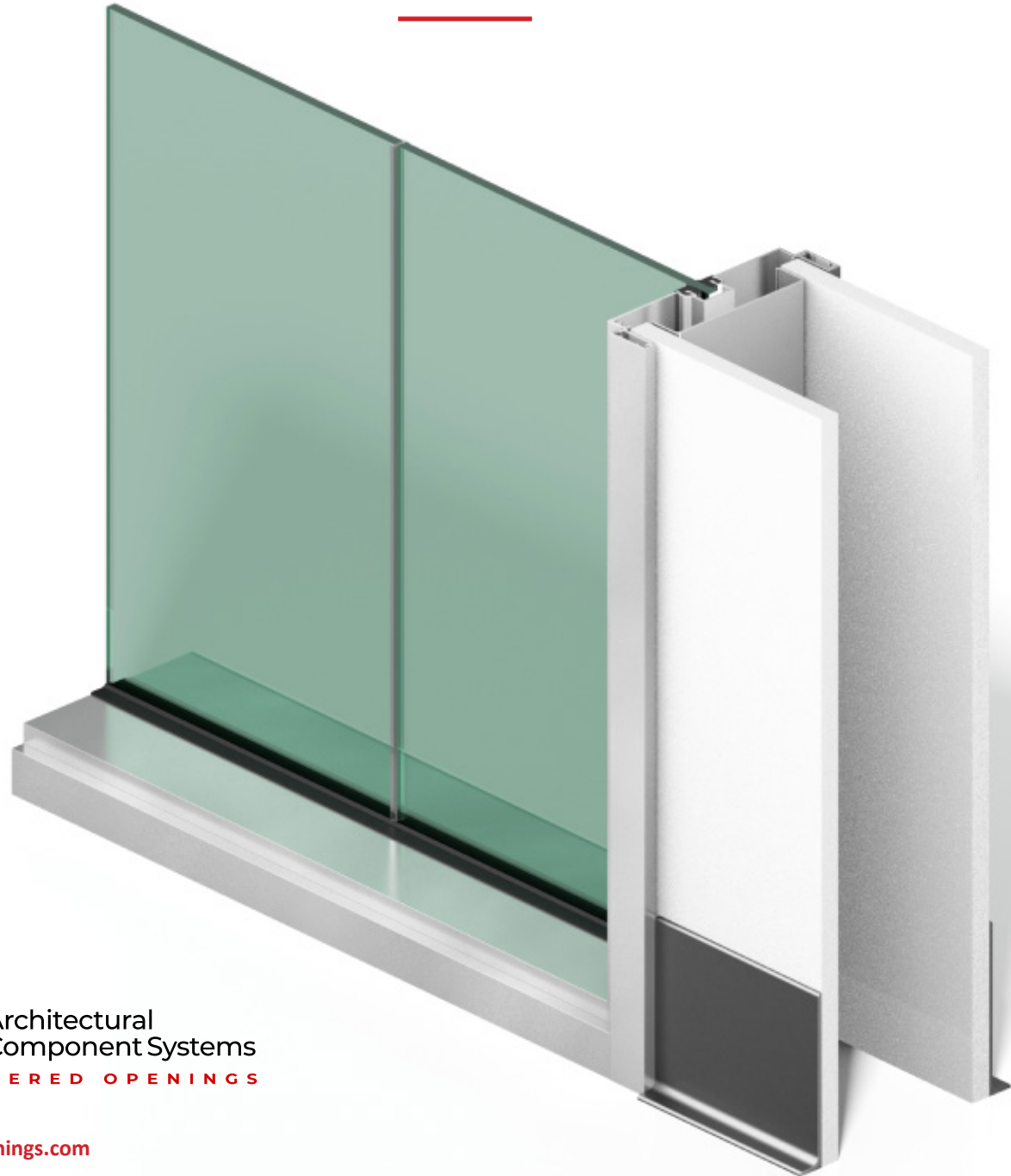


Design Simplicity, Engineered Excellence

Innovative Aluminum Frames and Doors for Modern Commercial Interiors

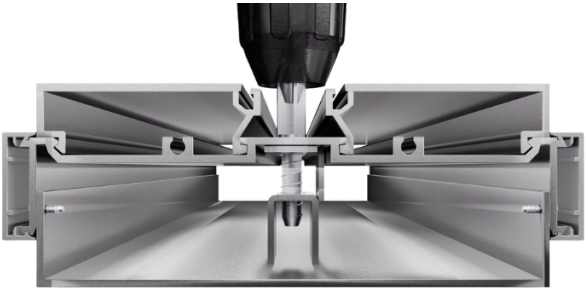


ACS | Architectural
Component Systems
PRECISION ENGINEERED OPENINGS

www.acsopenings.com

Innovative Features

QUICK SHIM



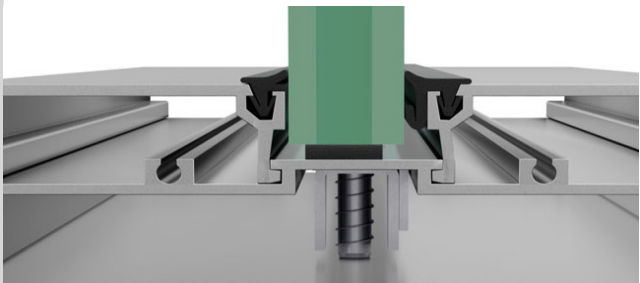
With our Quick Shim device you no longer need to provide separate shimming to raise the sill to accommodate various flooring thicknesses. And, we have eliminated the need for you to provide solid blocking to support heavy glass. Simply adjust the height of the Quick Shim device using a screw driver or screw gun to raise the sill track to the desired height. The Quick Shim will be factory installed at the glass setting block locations to provide the required support for the weight of the glass.

WIDE STOP HEADER



Save time on both labor and installation with a Wide Stop frame profile at the door header, eliminating the need for additional unsightly brackets and overhead reinforcements for door coordinators and parallel arm brackets. A truly simple solution with a modern design.

LARGER GLASS THICKNESS



ACS's framing systems are designed to support up to 5/8" thick glass with gasket on both sides. This accommodation, along with our innovative Quick Shim device, saves time and money for both you AND your customer. There is no longer a need to wet set the glass with silicone or to solid shim the sill track to support the weight of the glass.

FLUSH DOOR PROFILE



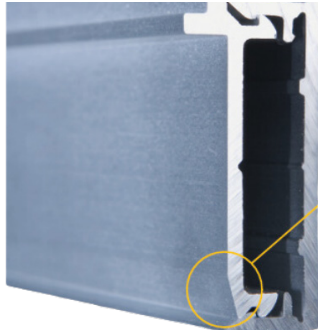
Avoid extended lip strikes with our Flush Door frame profile when using 1-1/2" or 2" trim options on any frame series. This option moves the outside face of the door to be flush with the outside face of the trim. This small details saves you the effort of having to coordinate and buy additional parts for your projects.

PRE-PUNCHED MOUNTING HOLES



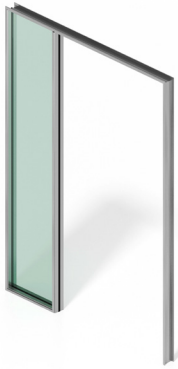
Our goal is to make your installation quicker and easier. To do that, we pre-drill the perimeter attachment holes in all of our frames so you don't have to.

BEVELED EDGE PROFILE



Chamfered leading edges help negotiate rough drywall conditions making installation easier and lowering the chance of damaging the drywall.

Discover The **ACS** Product Line



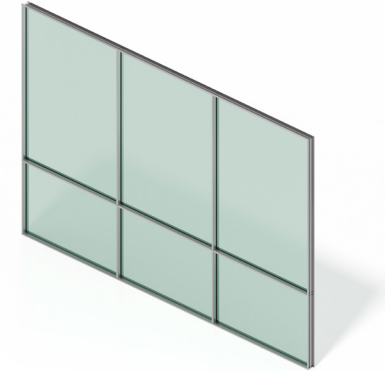
ALUMINUM FRAMES

ACS's aluminum frame solutions are built for modern commercial spaces. Combining precision, quality, and innovation our products deliver a clean, smart design with versatile configurations to fit any project.



ALUMINUM DOORS

ACS's aluminum door solutions are crafted for contemporary commercial spaces, offering the perfect balance of durability, elegance, and adaptability. Engineered with meticulous attention to detail, our doors provide sleek designs and customizable options to meet the demands of any project.



GLASS OPENINGS

ACS's glass opening solutions bring light and sophistication to modern commercial interiors. Designed to enhance natural light and create seamless visual connections, our innovative systems combine style, functionality, and flexibility for any project.



FIRE RATED

ACS's fire-rated aluminum frame options integrate seamlessly into modern commercial interiors, providing up to 90 minutes of fire resistance. Featuring concealed intumescent technology and wide stops for easy hardware installation, our fire-rated solutions deliver the perfect balance of protection and aesthetics for offices, healthcare facilities, hospitality spaces, and more.



SLIDING DOOR

Designed and engineered for performance, our sliding door systems offer smooth operations, durable construction, and sleek design. They integrate seamlessly into healthcare, education, hospitality, and commercial interiors. These systems deliver both aesthetic appeal and functional excellence. Perfect for maximizing usable space without compromising design.



POCKET DOOR

Our pocket door frame truly maximized the space saving solution by seamlessly integrating the door into the wall. The combination of our wood wall insert and aluminium door frame, allow for easy installation and a consistent look to match all your swing door frames.

Aluminum Frames

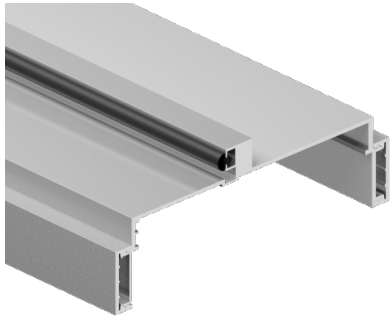
ACS's aluminum frame solutions are built for modern commercial spaces. Combining precision, quality, and innovation our products deliver a clean, smart design with versatile configurations to fit any project.



FEATURES

- *Made in the USA!*
- *Wall Throat Sizes Up To 11 1/8"*
- *Narrow, Wide, and Flush Door Stop Profiles*
- *Fire Rated Options Up To 90 Minutes*

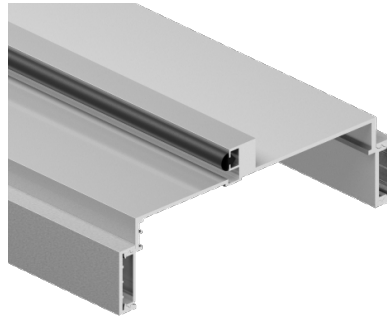
Wall Series



500 WALL

Wall Size 4-7/8" and 5"

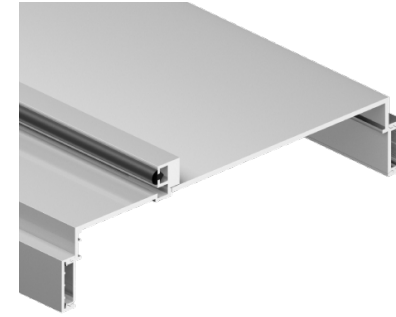
Our 500 Wall series is designed to accommodate standard 4-7/8" walls but provides enough room to deal with real world construction tolerances. With our 5" actual throat size, along with our beveled leading edge of extrusion, our frames install with ease with wall thicknesses from 4-7/8" to 5"



738 WALL

Wall Size 7-1/4" and 7-3/8"

Our 738 Wall series is designed to accommodate standard 7-1/4" walls but provides enough room to deal with real world construction tolerances. With our 7-3/8" actual throat size, along with our beveled leading edge of extrusion, our frames install with ease with wall thicknesses from 7-1/4" to 7-3/8"

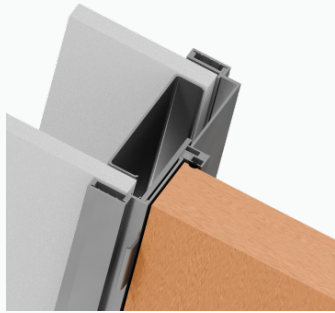


ADJUSTABLE WALL

Wall Size 3-3/4" and 11-1/8"

Our Adjustable Wall series is designed to accommodate any wall thickness from 3-3/4" up to 11-1/8". With our two piece frames we can custom make any desired throat size to deal with any projects special wall types and configurations.

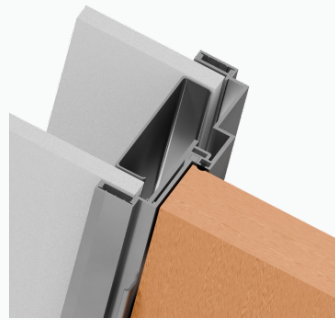
Frame Types



NARROW STOP

Our minimal 7/16" stop profile

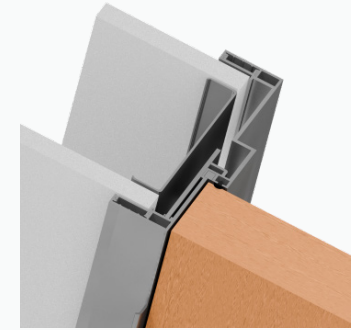
The Narrow Stop profile is perfect for today's modern and sleek interiors. This our most popular door stop profile used in today's high end commercial spaces.



WIDE STOP

Eases Installation of closers and reinforcements

Save time on both labor and installation with a Wide Stop frame profile at the door header, eliminating the need for additional unsightly brackets and overhead reinforcements for door coordinators and parallel arm brackets. A truly simple solution with a modern design.

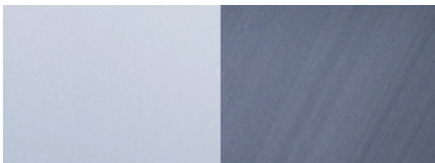


FLUSH DOOR

Used with 1-1/2" and 2" trim to avoid extended lip strike

Avoid extended lip strikes with our Flush Door frame profile when using 1-1/2" or 2" trim options. This option moves the outside face of the door to be flush with the outside face of the trim. This small details saves you the effort of having buy additional parts for your projects.

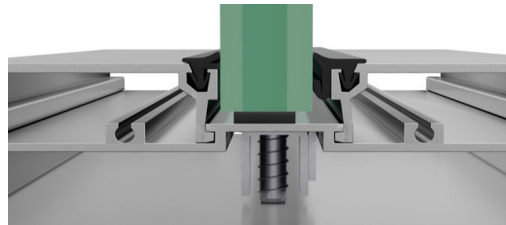
FINISH OPTIONS



All products are stocked in the following finishes:
Clear Anodized
Black Anodized

All products are available in custom factory finished options:
Kynar Painted – Custom Colors
Powder Coated – Custom Colors
Anodized – Custom Colors

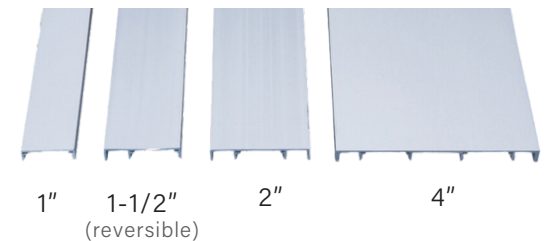
GLASS THICKNESS OPTIONS



All non-rated frames can accommodate the following glass with gasket on both sides:

- 1/4" Glass
- 3/8" Glass
- 1/2" Glass
- 9/16" Glass
- 5/8" Glass

TRIM OPTIONS



Available in an assortment of the most commonly used trims in the industry.

Aluminum Doors

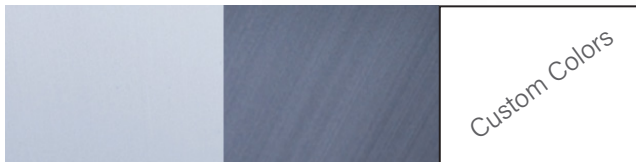
ACS's aluminum door solutions are crafted for contemporary commercial spaces, offering the perfect balance of durability, elegance, and adaptability. Engineered with meticulous attention to detail, our doors provide sleek designs and customizable options to meet the demands of any project.



FEATURES

- *Made in the USA!*
- *Sizing up to 4ft x 10ft*
- *Factory Installed Glass Options*
- *Factory Welded Corners*
- *ADA Compliant*
- *Wide Stile with prep for Cyindrical, Mortice and Panic Hardware*

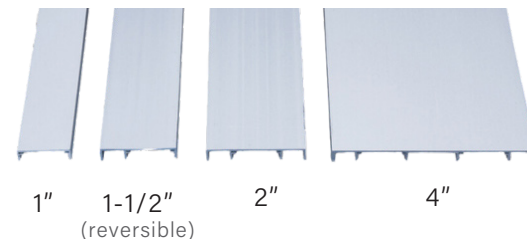
FINISH OPTIONS



All products are stocked in the following finishes:
Clear Anodized
Black Anodized

All products are available in custom factory finished options:
Kynar Painted – Custom Colors
Powder Coated – Custom Colors
Anodized – Custom Colors

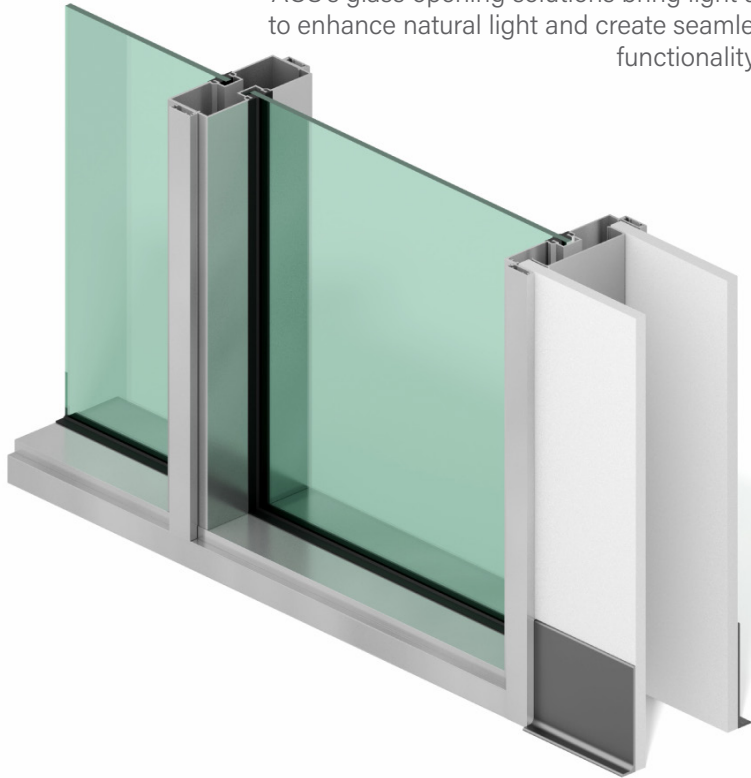
TRIM OPTIONS



Available in an assortment of the most commonly used trims in the industry.

Glass Openings

ACS's glass opening solutions bring light and sophistication to modern commercial interiors. Designed to enhance natural light and create seamless visual connections, our innovative systems combine style, functionality, and flexibility for any project.

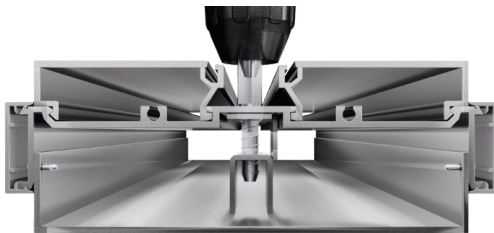


FEATURES

- *Quick Shim Device (Eliminates Shimming for Glass)*
- *Gasket Both Sides of Glass Up To 5/8"*
- *Framed Verticals or Butt Joints*
- *No Wet Glazing!*
- *45 Minute Fire Rated Option*

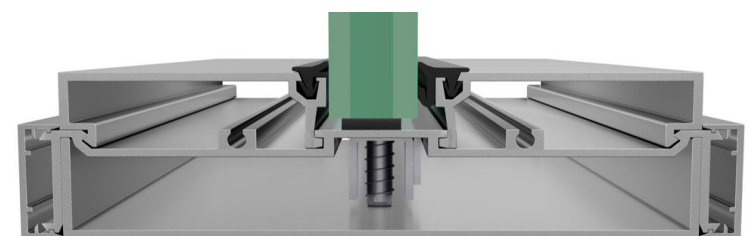
Innovative Features

QUICK SHIM



With our Quick Shim device you no longer need to provide separate shimming to raise the sill to accommodate various flooring thicknesses. And, we have eliminated the need for you to provide solid blocking to support heavy glass. Simply adjust the height of the Quick Shim device using a screw driver or screw gun to raise the sill track to the desired height. The Quick Shim will be factory installed at the glass setting block locations to provide the required support for the weight of the glass.

THICKER GLASS



ACS's framing systems are designed to support up to 5/8" thick glass with gasket on both sides. This accommodation, along with our innovative Quick Shim device, saves time and money for both you AND your customer. There is no longer a need to wet set the glass with silicone or to solid shim the sill track to support the weight of the glass.

Fire Rated

ACS's fire-rated aluminum frame options integrate seamlessly into modern commercial interiors, providing up to 90 minutes of fire resistance without compromising on style or functionality. Featuring concealed intumescent technology and wide stops for easy hardware installation, our fire-rated solutions deliver the perfect balance of protection and aesthetics for offices, healthcare facilities, hospitality spaces, and more.



20 MINUTE RATED

Positive pressure compliant with optional intumescent concealed in frame

45 MINUTE RATED

Borrowed lite frame: 3/0 8/0 5" wall and 7-1/4" wall along with 3/0 9/0 singles and 6/0 8/0 pair

90 MINUTE RATED

Available for frames: 4-7/8" – 11-1/8" wall sizes

