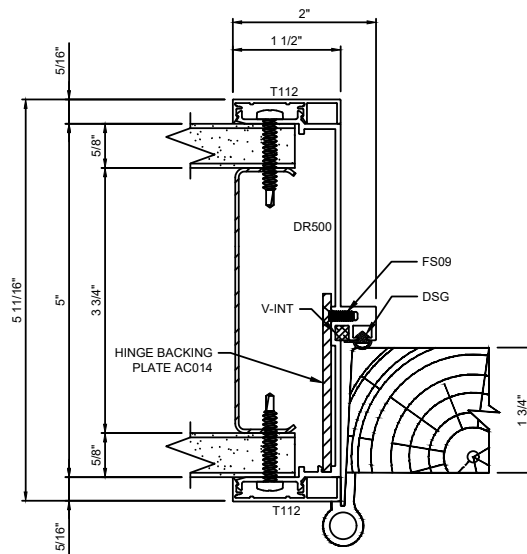
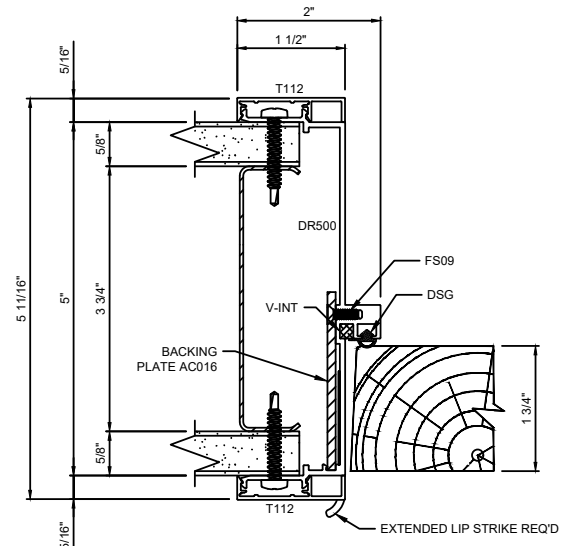


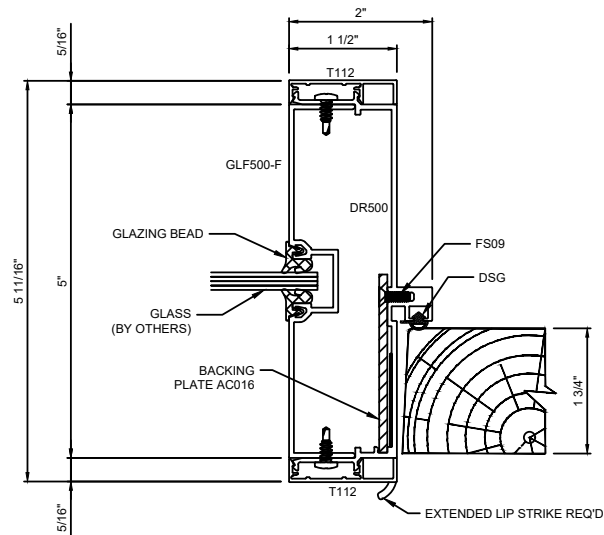
A DOOR FRAME HEADER



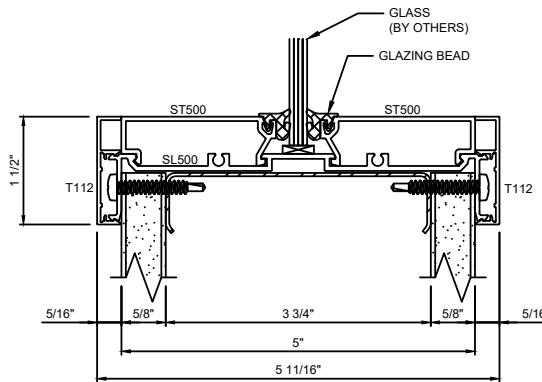
B DOOR FRAME HINGE JAMB



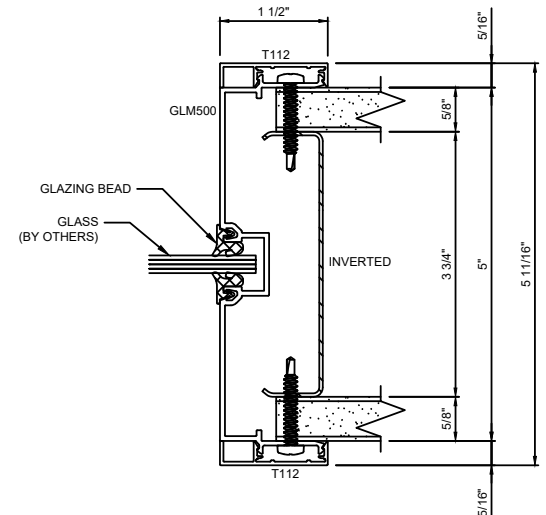
C DOOR FRAME STRIKE JAMB



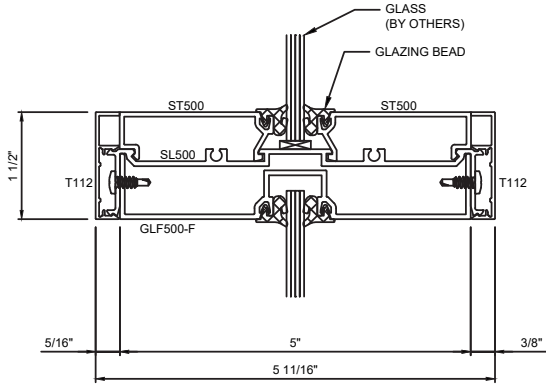
D STRIKE JAMB & S.L. MULLION W/ 2" FACE



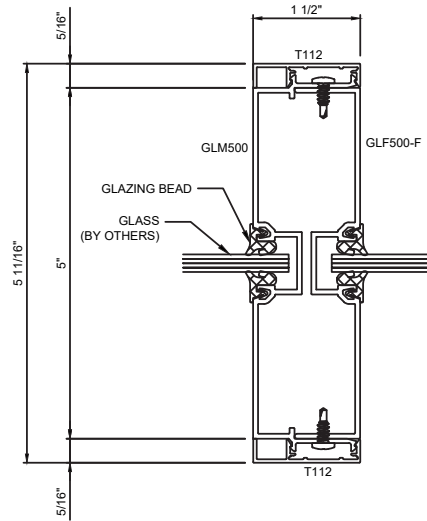
E SILL BASE ON DRYWALL PARTITION



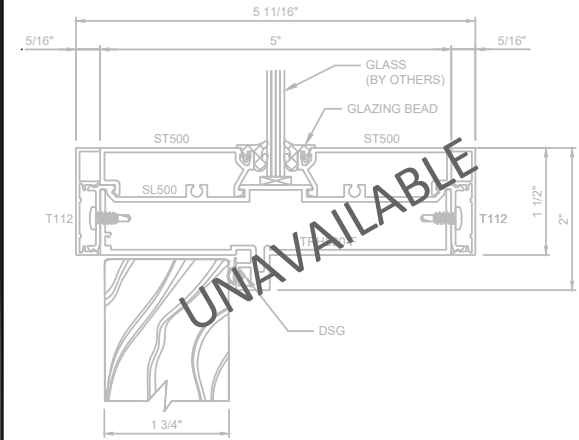
F GLAZING JAMB



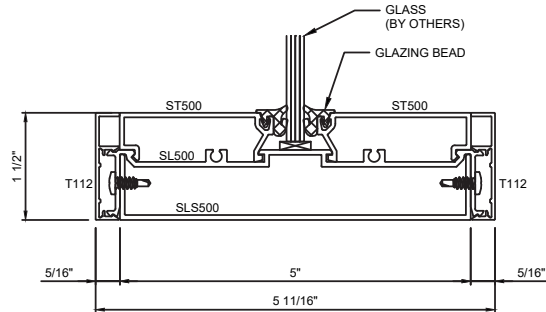
G HORIZONTAL MULLION W/ 1-1/2" FACE



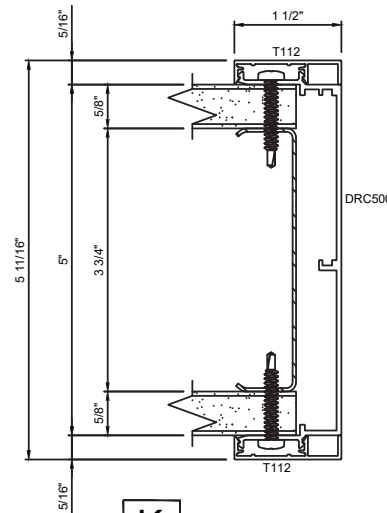
H VERTICAL MULLION W/ 1-1/2" FACE



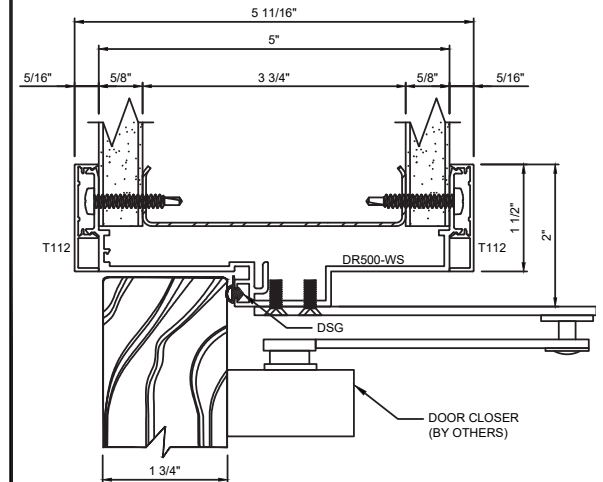
I TRANSOM HEADER W/ 1-1/2" FACE



J GLAZING SILL W/ STARTER TRACK



K CASED OPENING



L DOOR HEADER WITH WIDE STOP FOR CLOSER ARM ATTACHMENT