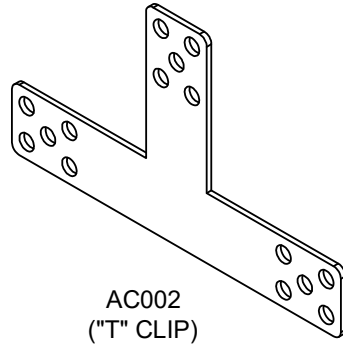
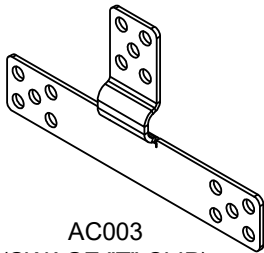


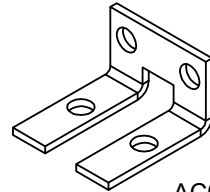
AC001
(CORNER CLIP)



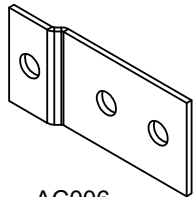
AC002
('T' CLIP)



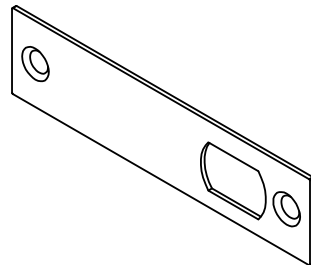
AC003
(SWAGE 'T' CLIP)



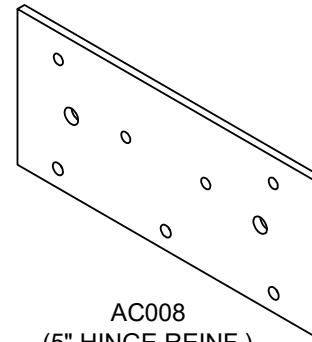
AC004
(SILL CLIP)



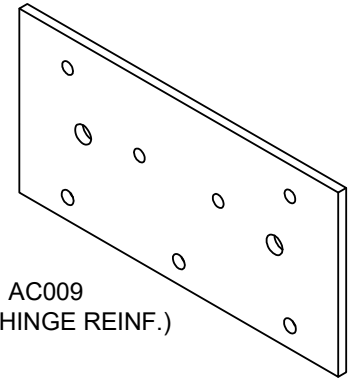
AC006
(QUIRK CLIP)



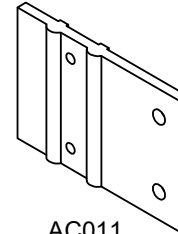
AC007
(REVERSABLE FLUSH BOLT)



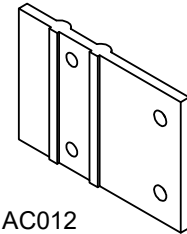
AC008
(5" HINGE REINF.)



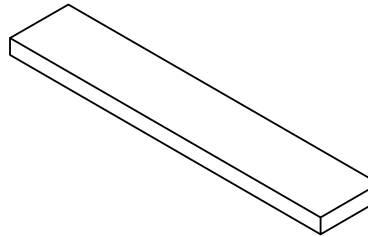
AC009
(4-1/2" HINGE REINF.)



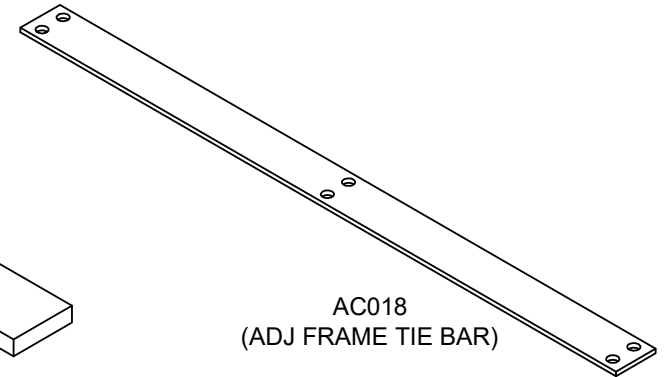
AC011
(DEADBOLT/STRIKE
FLUSHBOLT REINF.)



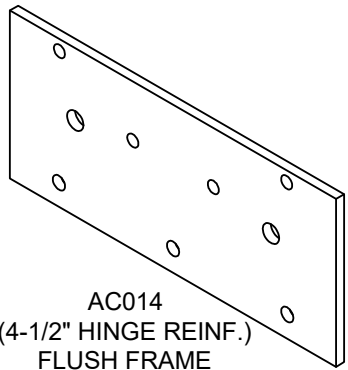
AC012
(ASA STRIKE REINF.)



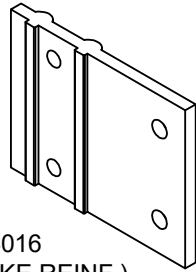
AC017
(REG. ARM CLOSER REINF.)



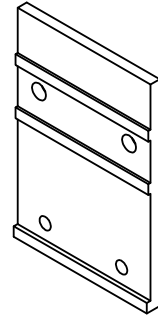
AC018
(ADJ FRAME TIE BAR)



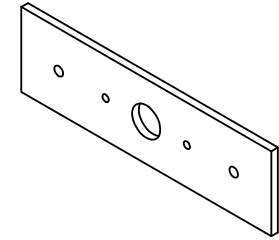
AC014
(4-1/2" HINGE REINF.)
FLUSH FRAME



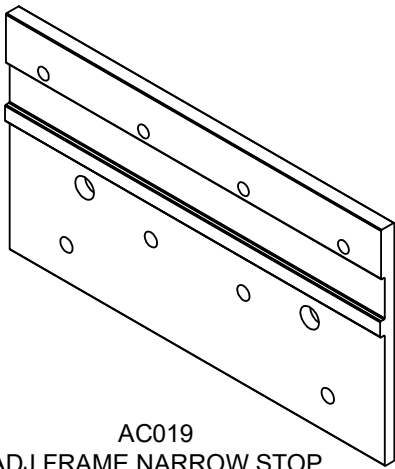
AC016
(ASA STRIKE REINF.)
FLUSH FRAME



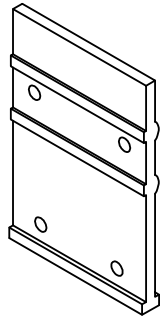
AC021
ADJ FRAME NARROW STOP
ASA STRIKE



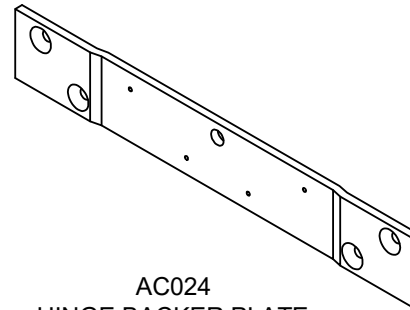
AC023
LATCH BACKER PLATE
FOR DOORS



AC019
ADJ FRAME NARROW STOP
HINGE REINF



AC020
ADJ FRAME NARROW STOP
DEAD BOLT STRIKE



AC024
HINGE BACKER PLATE
FOR DOORS



AC025
GLASS BUMBERS (SETTING
BLOCK) FOR DOORS