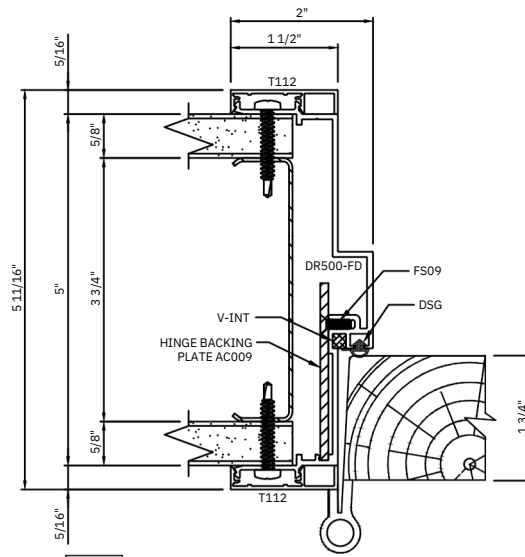
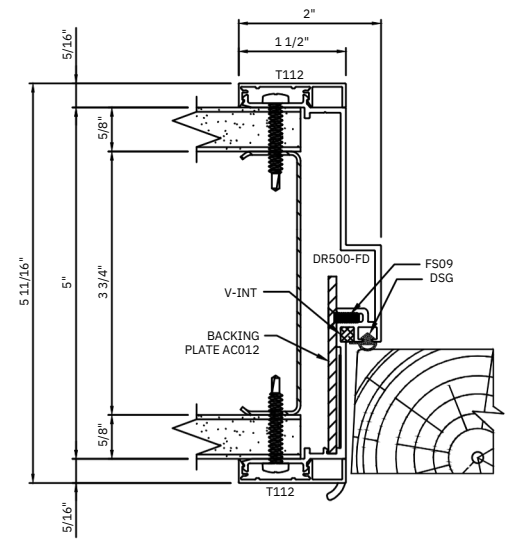


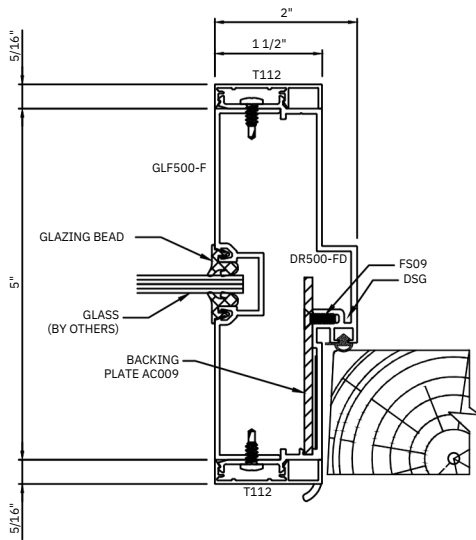
A DOOR FRAME HEADER



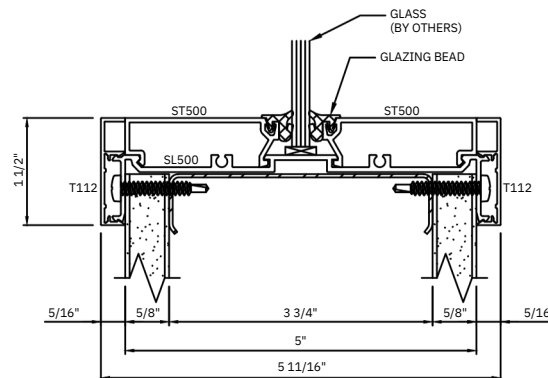
B DOOR FRAME HINGE JAMB



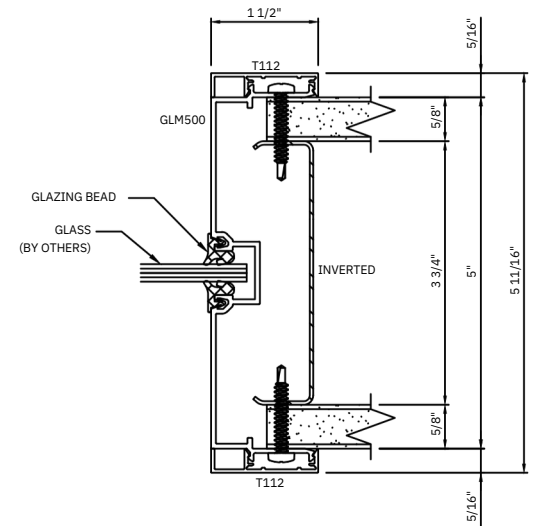
C DOOR FRAME STRIKE JAMB



D STRIKE JAMB & S.L. MULLION W/ 1-1/2" FACE

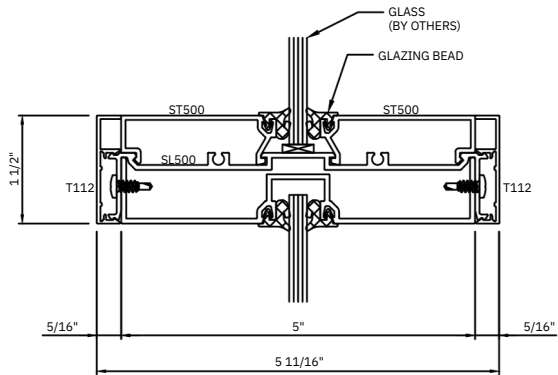


E SILL BASE ON DRYWALL PARTITION

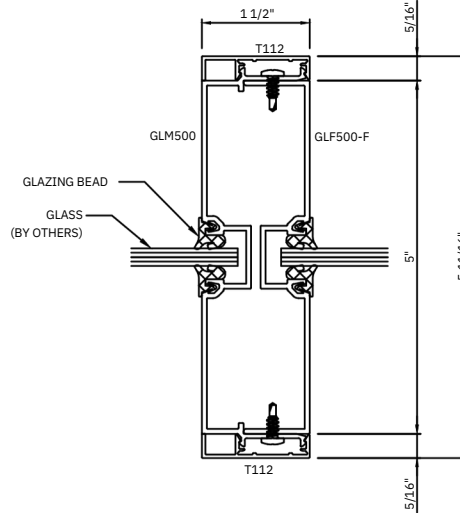


F GLAZING JAMB

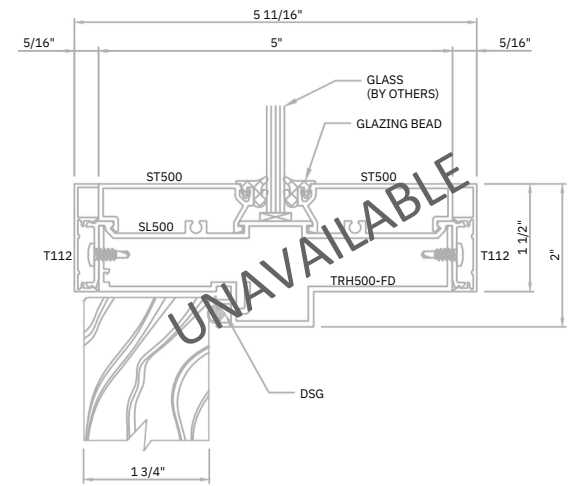
500 Wall - 1 1/2" Trim - Flush Door



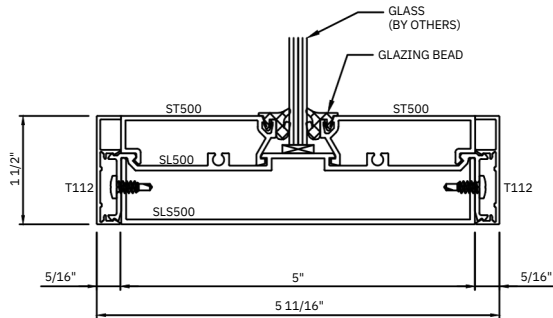
G HORIZONTAL MULLION W/ 1-1/2" FACE



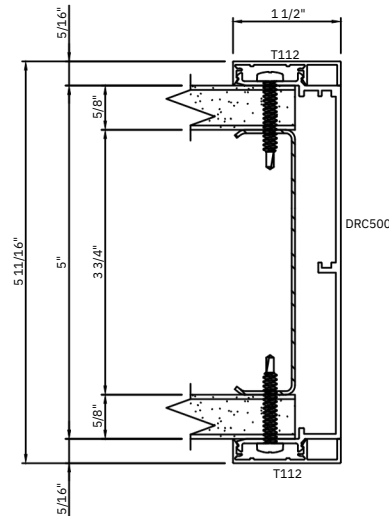
H VERTICAL MULLION W/ 1-1/2" FACE



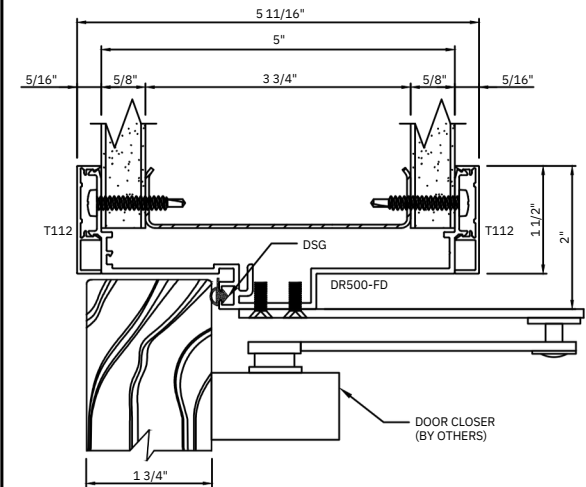
I TRANSOM HEADER W/ 1-1/2" FACE



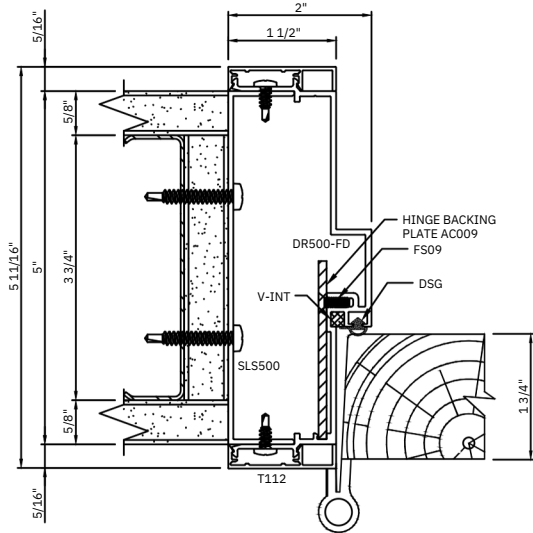
J GLAZING SILL W/ STARTER TRACK



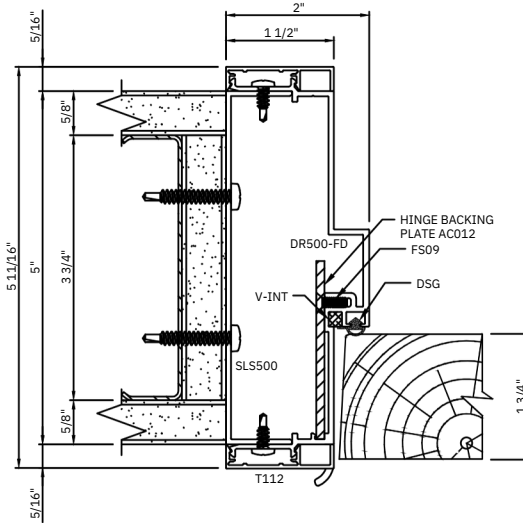
K CASED OPENING



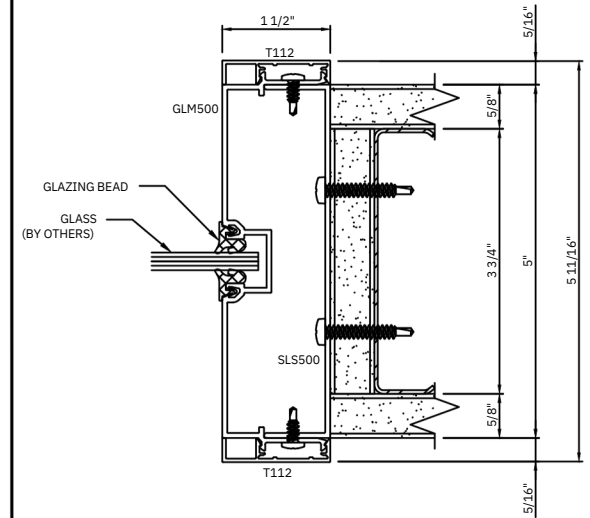
L DOOR HEADER WITH WIDE STOP FOR CLOSER ARM ATTACHMENT



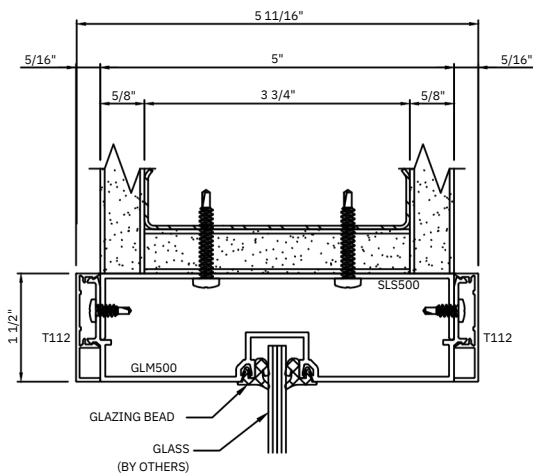
M DOOR FRAME HINGE JAMB
W/ STARTER TRACK



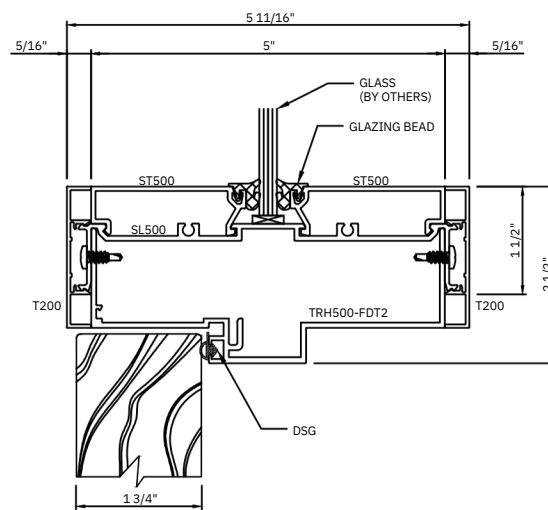
N DOOR FRAME STRIKE JAMB
W/ STARTER TRACK



O GLAZING JAMB
W/ STARTER TRACK



P HEAD MULLION
W/ STARTER TRACK



Q TRANSOM HEADER W/ 2" FACE

500 Wall - 1 1/2" Trim - Flush Door